

PORTABLE PRO POOL 2



Item# F-PPP2

U.S. Patent Nos.
D507,769S

The newly streamlined Portable Pro Pool 2 makes it an ideal option for the backyard pool connoisseur. The completely portable nature of the lift features a 350 pound weight capacity and incorporates several key features of our more popular lifts.

No anchor needed, it comes with concrete counter-weights or you can supply your own sand as your counter-weight, roll it out to your in ground pool or spa and get in. Easy to use handset with push button controls and flip-up armrests allow for easy lateral or angled transfers from wheelchairs.

The all stainless steel, powder coated construction will help to withstand the harsh elements for years to come. The Lift is available in many different color combinations allowing you to mix-n-match colors to blend in with your décor.



OPTIONS/ACCESSORIES:

F-120PPC-B-HE	Cover, premium fade resistant, blue
F-120PPC	Cover, standard lockable, blue
F-120PPC-G	Cover, standard lockable, gray
F-120PPC-T	Cover, standard lockable, tan
F-120PPC-T	Cover, standard lockable, tan
F-422PLH-2	Headrest
F-LRB	Pull-out leg rest assembly (blue, tan, gray, or white)
F-423CS	Chest strap
F-019CA	Cycle attachment

FEATURES:

- Mobile, compact design
- 350 lb (160 kg) weight capacity
- CE Certified
- Maximum set back 6 inches (15.24 cm)
- Maximum deck to water 13 inches (33.02 cm)
- All stainless steel construction
- Durable powder coat finish
- Flip-up armrests
- Adjustable footrest & lap belt
- Water resistant handset
- Rechargeable battery with wall mount charger
- Five year structural warranty
- Five year pro-rated electronics warranty

ACCENT COLORS

Available in a variety of accent and powder coat colors



*Blue seat standard (not a powder coat option)

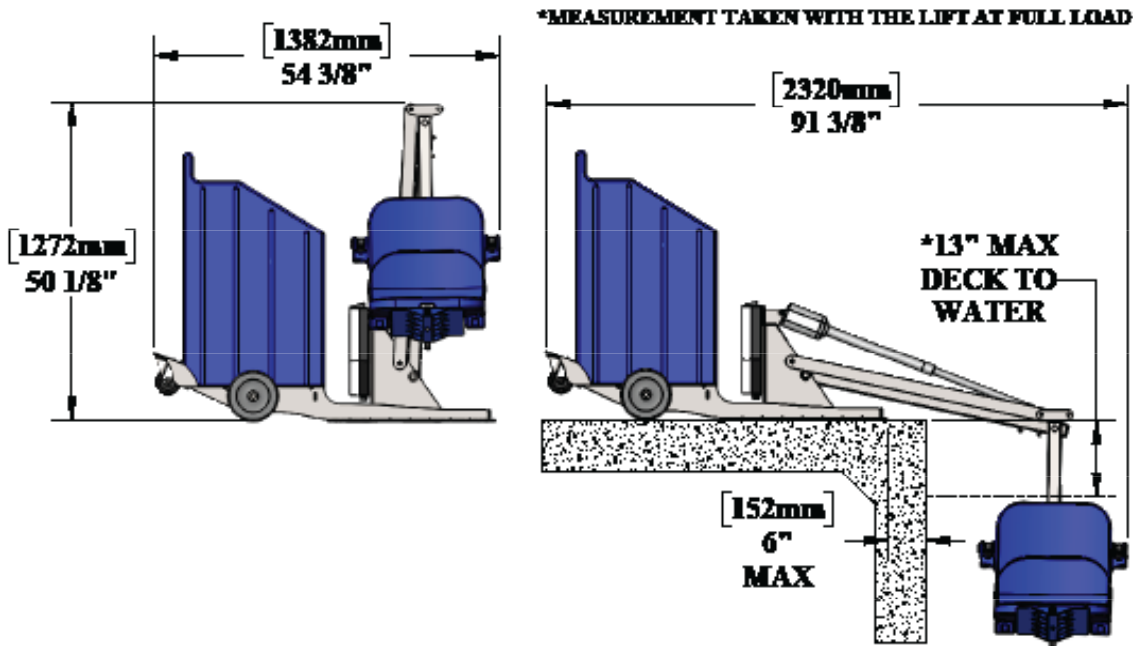
GREAT FOR RESIDENTIAL POOLS!



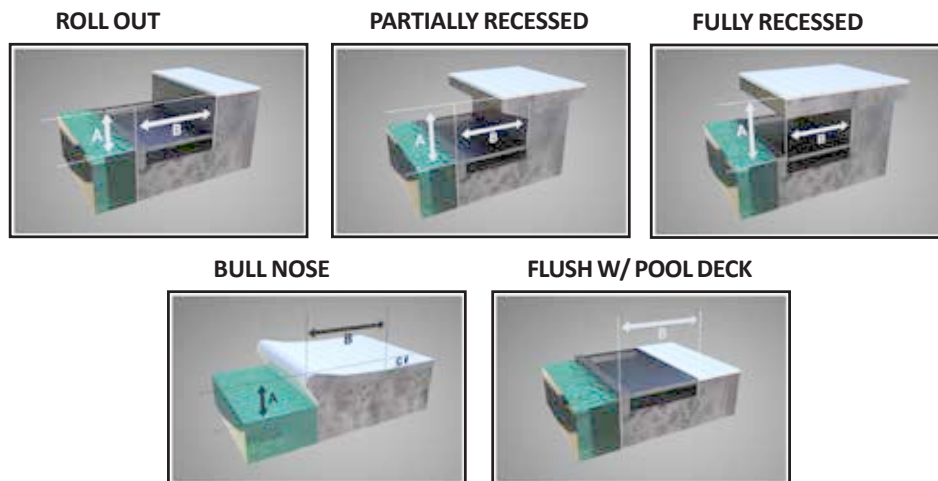
PROUDLY SOLD BY:

THE PORTABLE PRO POOL LIFT

PRODUCT SPECIFICATIONS



APPLICABLE POOL PROFILES



To confirm specific application go to www.aquacreek.com for our Pool Lift Selector
Become a member of our new Dealer and Architect page. Access to CAD blocks,
CSI specs and sales materials.